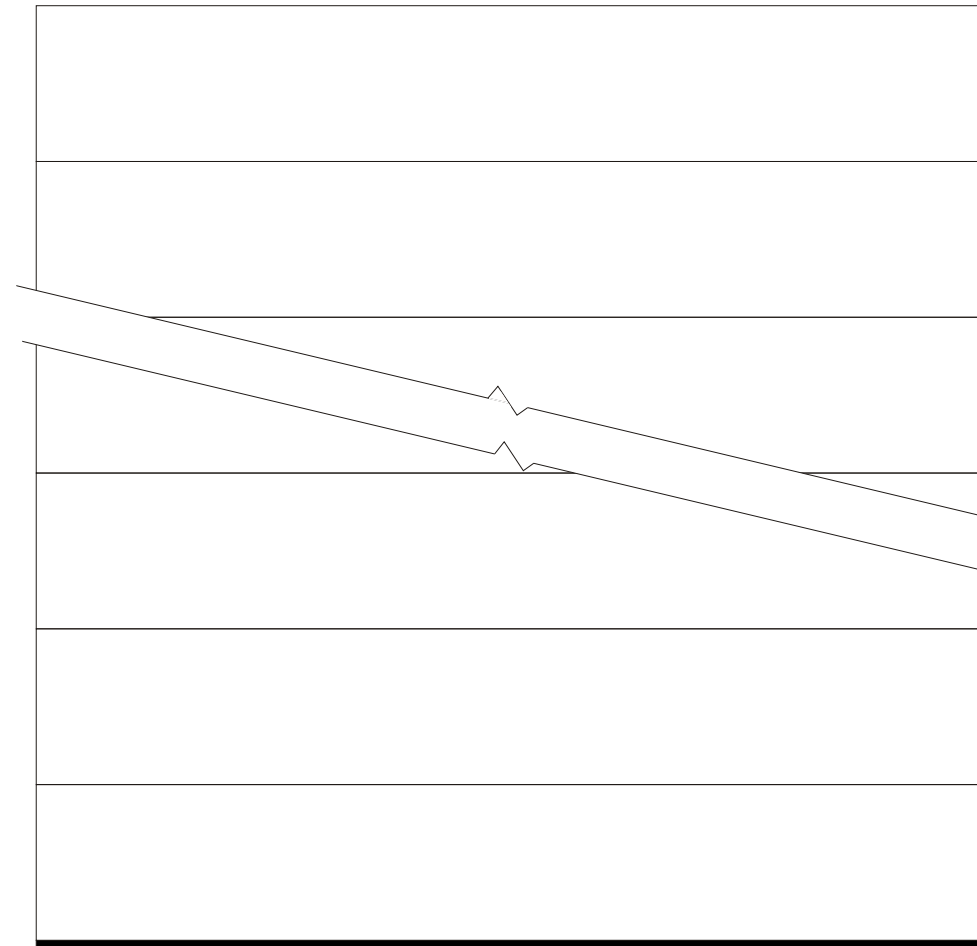
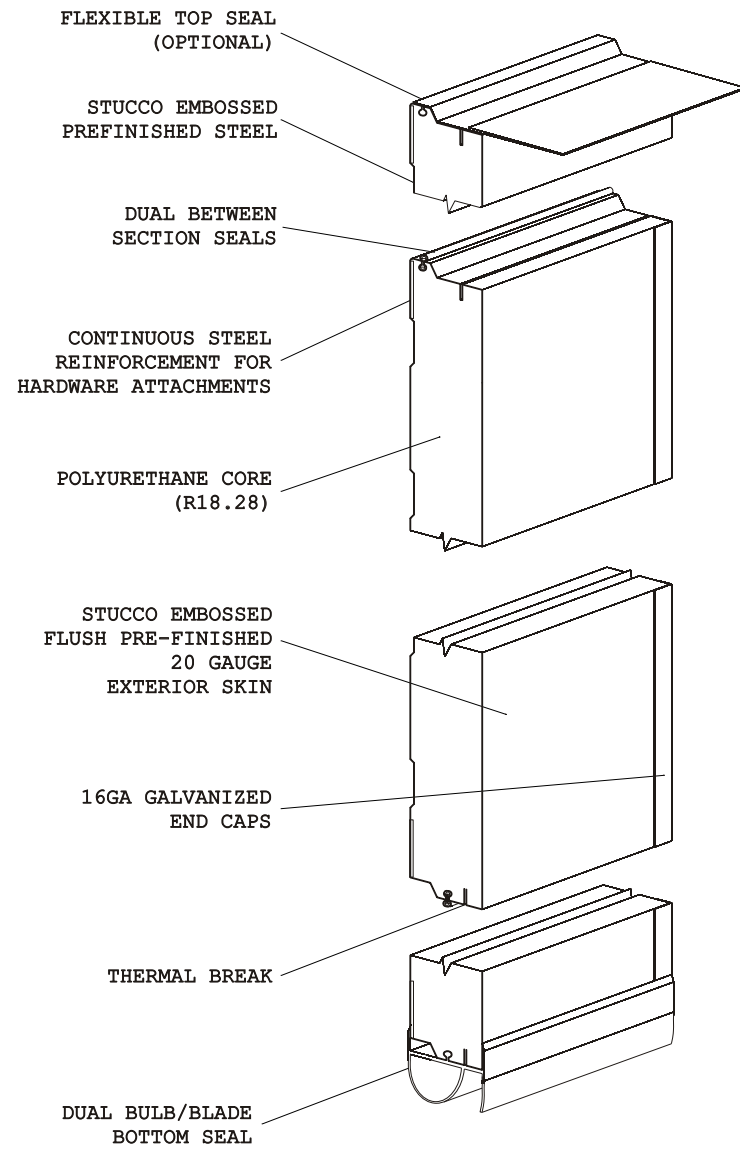
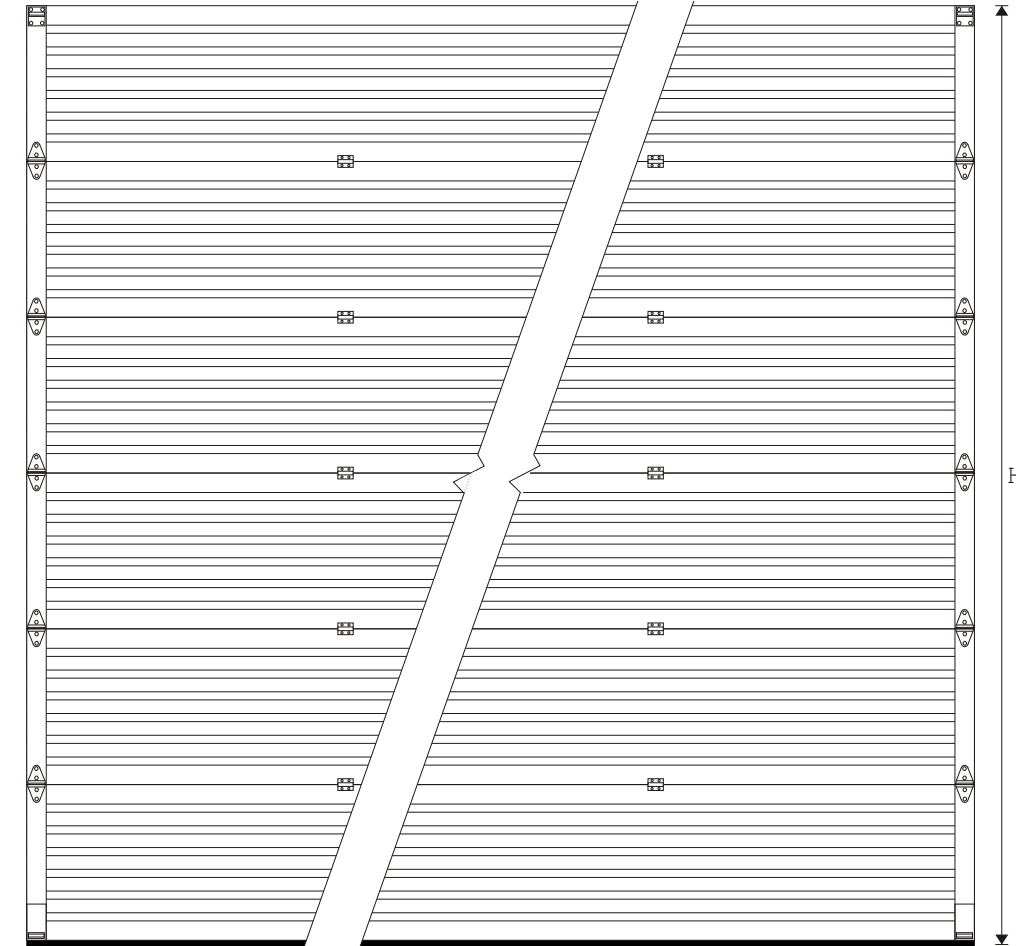


WEATHER BREAKER 200-20



EXTERIOR ELEVATION



INTERIOR ELEVATION

LITE OPTIONS



| DWG# | DOOR NUMBER | QTY | OPENING SIZE | | DOOR SIZE | | SECTIONS HIGH | PANELS WIDE | EXTERIOR COLOR | HEAD SEAL | LITES | LOCK TYPE |
|--------|-------------|-----|--------------|--------|-----------|--------|---------------|-------------|----------------|-----------|-------|-----------|
| | | | WIDTH | HEIGHT | WIDTH | HEIGHT | | | | | | |
| JOB: | | | | | | | | | | | | |
| CONTR: | | | | | | | | | | | | |
| DISTR: | | | | | | | | | | | | |
| ARCH: | | | | | | | | | | | | |

